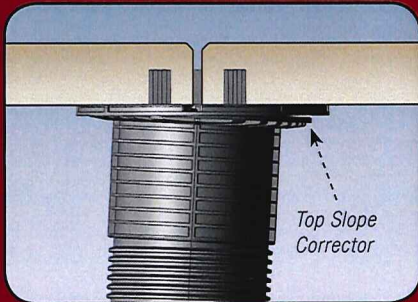


Distinctive Features

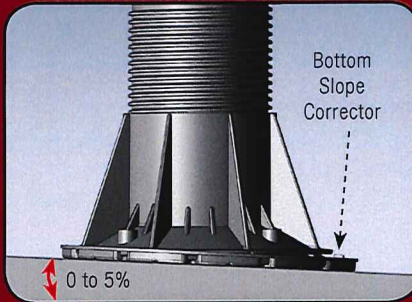
Top Slope Corrector

Top Slope Corrector provides for slope compensation up to 5%, keeping pavers level on a sloping surface.



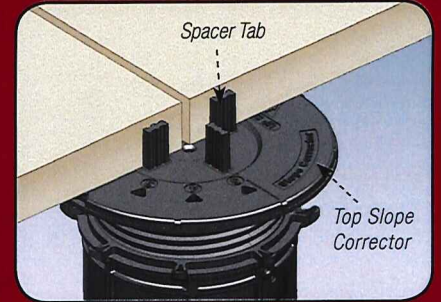
Bottom Slope Corrector

Bottom Slope Corrector by itself allows pedestal to remain firmly upright on incline of up to 5%.



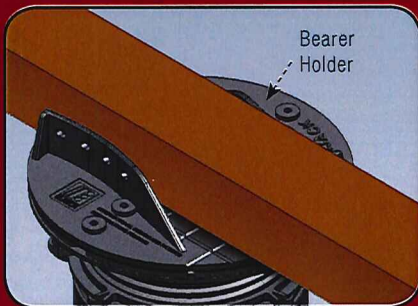
Spacer Tab

Spacer Tabs of various thicknesses from 2mm to 10mm cater for different gap sizes between pavers.



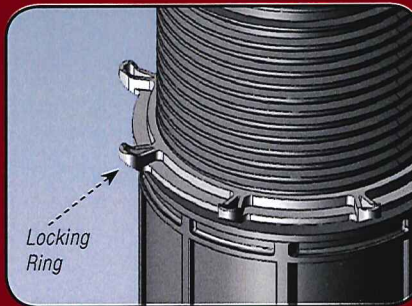
Bearer Holder

Bearer Holder accommodates bearer widths of 50mm to 85mm and keeps it firmly in place.



Locking Ring

Locking Rings ensure pedestals are secured at desired heights and are easily removed when not required.



Non-Water Retention

Pedestal design prevents water ponding and breeding of pests even on an incline.



VersiJack® has international design registrations and patents pending.

Projects

