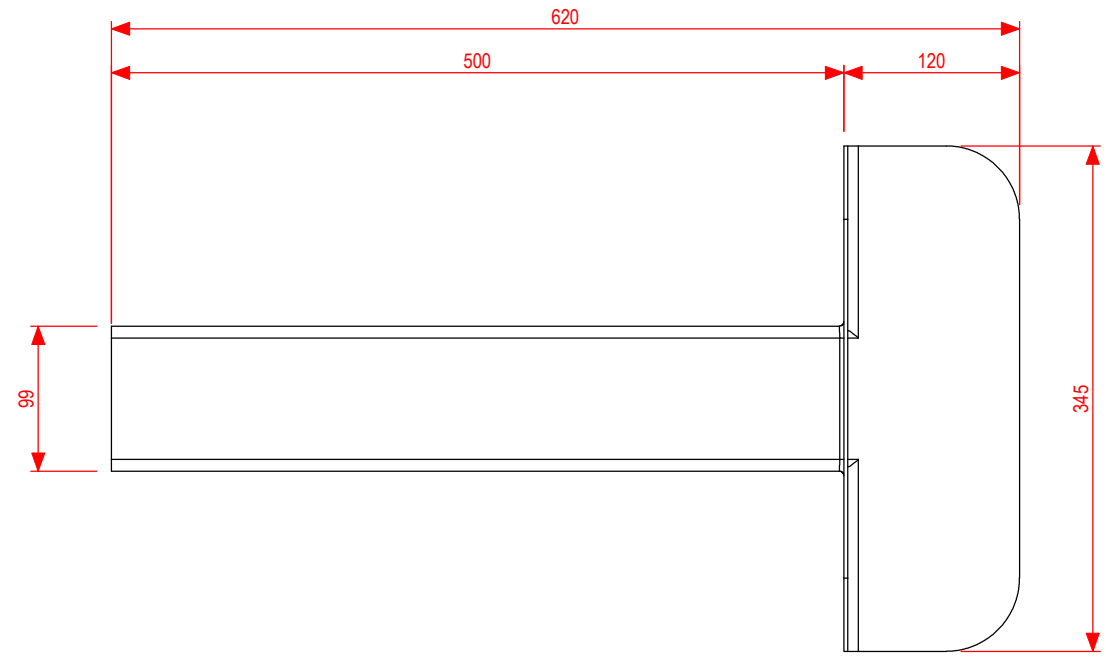
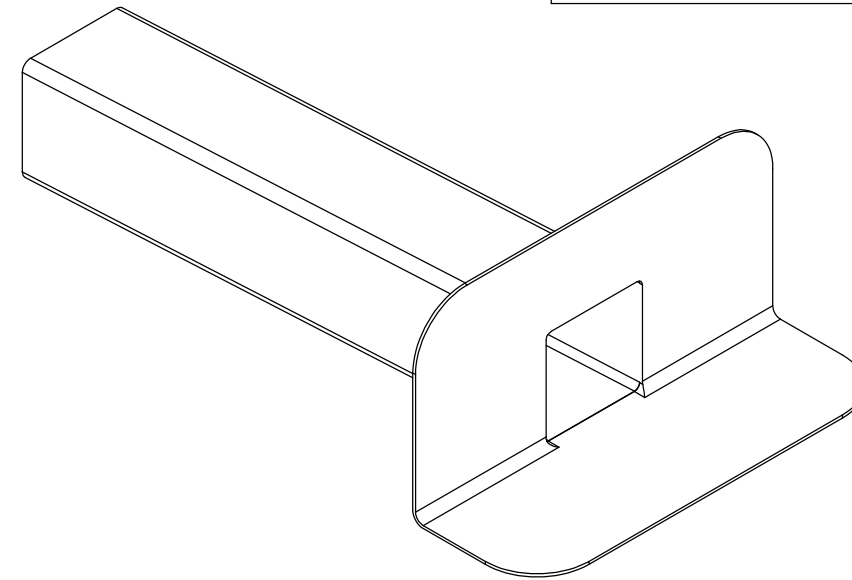


DESCRIPTION

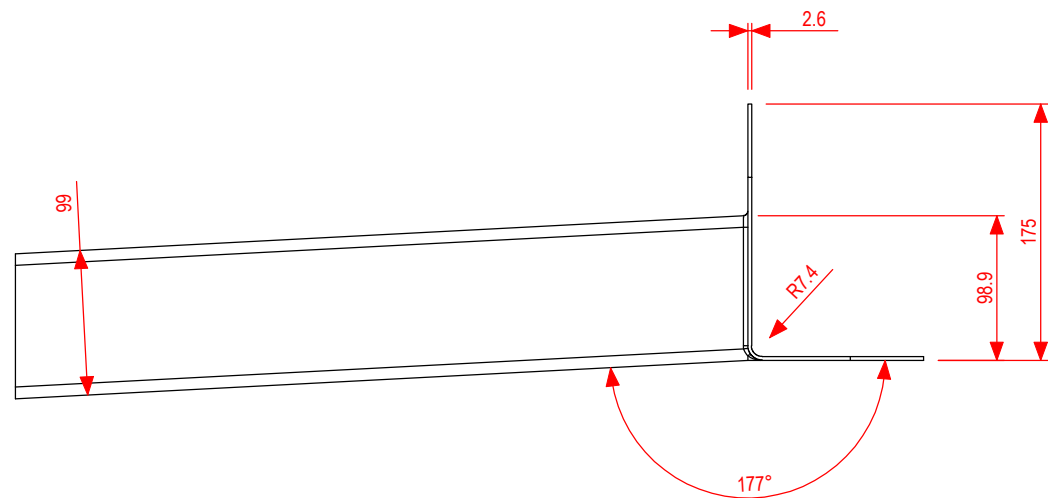
CODE	FINISH
<b>SCUP100</b>	<b>POLYETHYLENE</b>



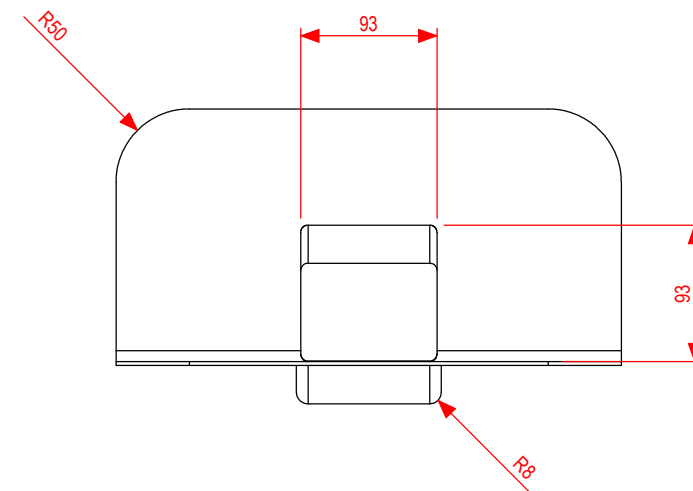
TOP VIEW



ISOMETRIC VIEW

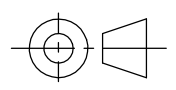


FRONT VIEW



SIDE VIEW

DISCLAIMER - THE DESIGN SUGGESTION IS PROVIDED FOR EVALUATION PURPOSES ONLY.  
IT IS NOT TO BE CONSIDERED A FULL DESIGN AS WE ARE NOT THE CONSULTING ENGINEERS, WE ARE MANUFACTURERS. WE ARE NOT PRIVY TO ALL THE INFORMATION PERTAINING TO THIS MATTER AND WE HAVE NO CONTROL OVER THE PROJECT INSTALLATION OF THE PRODUCT. THE DESIGN SUGGESTION IS PROVIDED WITHOUT OBLIGATION. DESIGN IS TO BE CONFIRMED AND APPROVED BY THE ARCHITECT, HYDRAULICS ENGINEER, OR PROJECT MANAGER. ACCURATE MEASUREMENTS SHOULD BE CONFIRMED BY THE PERSON APPROVING THE DESIGN. ALLPROOF ACCEPTS NO LIABILITY FOR THE IMPROPER USE OF THE DESIGN SUGGESTION.

REVISIONS	CHANGES	DRAWN	DATE	DO NOT SCALE DRAWING		TITLE
				REQUESTED	DATE	100x100MM SCUPPER DRAIN
				J.M	1.4.2014	
				DRAWN	DATE	
				S.L.	2.4.2014	APPLICABLE STANDARD(S):
				APPROVED	DATE	
XXX	XXX	S.L.	XXX	MATERIAL		PART NUMBER
TOOL NUMBER				0.0		SCUP 100
PART WEIGHT(GRAMS)				0.0		
FILE				S:\CAD FILES\2014\DIVERSE\SCUP100		
A3		UNITS = MM		SCALE : NTS (UOS)		
						
						SHEET 1 OF 1