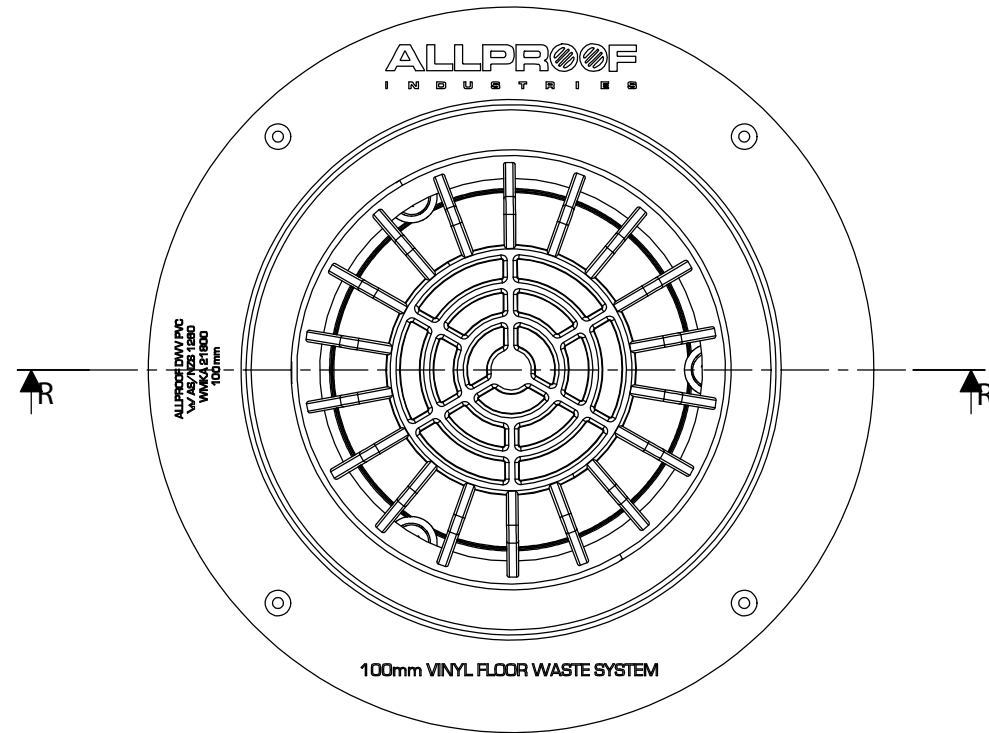
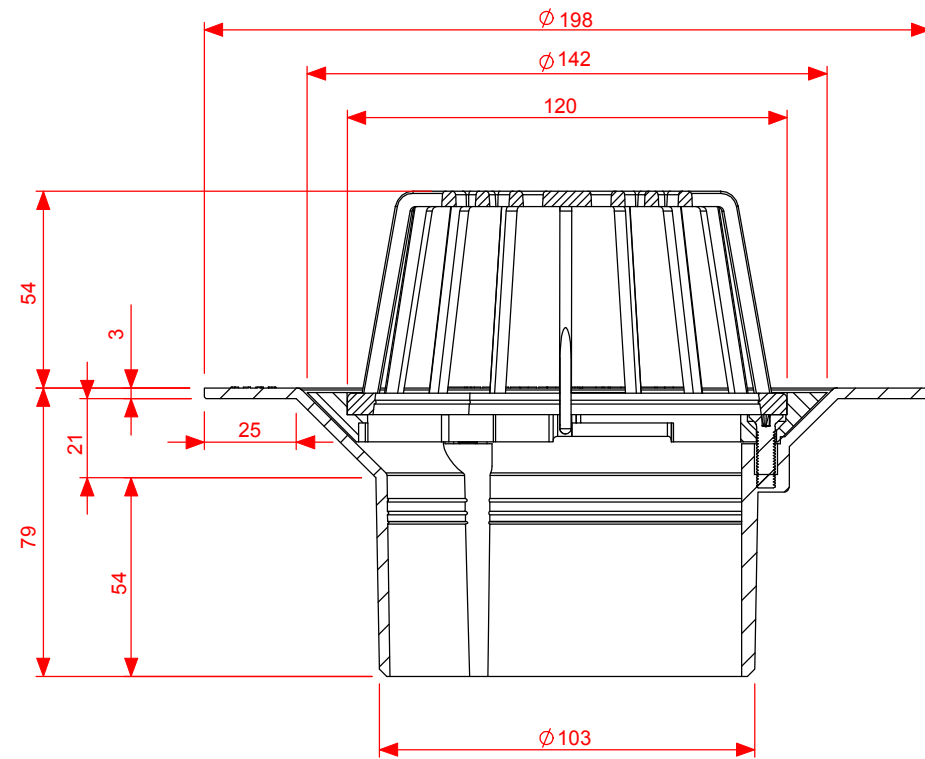


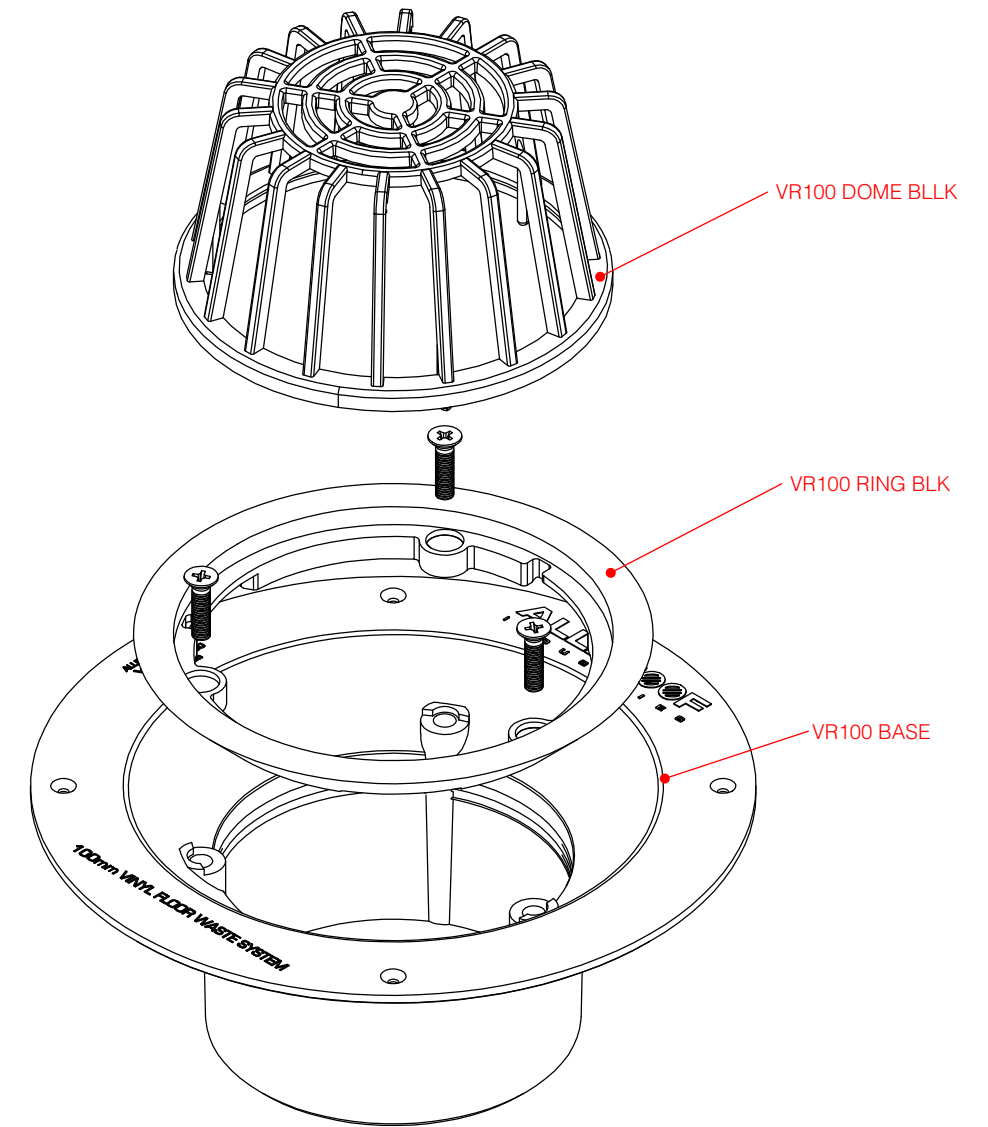
DESCRIPTION	
CODE	FINISH
VR100DOME PLAS	BLACK, CARBON INFUSED PVC



TOP VIEW



SECTION R-R  
SCALE 1 : 2



EXPLODED VIEW

REVISIONS	CHANGES	DRAWN	DATE	DO NOT SCALE DRAWING		TITLE
				REQUESTED	DATE	100MM VINYLRITE DOME BLACK PLASTIC
				J.M	1.4.2014	
				DRAWN	DATE	APPLICABLE STANDARD(S):
				S.L.	2.4.2014	
				APPROVED	DATE	PART NUMBER
XXX	XXX	S.L.	XXX	MATERIAL		SCALE : NTS (UOS)
				PVC		
				TOOL NUMBER	0.0	
				PART WEIGHT(GRAMS)	0.0	
				FILE	S\CAD FILES\2014\DIVERSE\VR100DOME PLAS	
				A3	UNITS = MM	

DISCLAIMER: THE DESIGN SUGGESTION IS PROVIDED FOR EVALUATION PURPOSES ONLY.  
IT IS NOT TO BE CONSIDERED A FULL DESIGN AS WE ARE NOT THE CONSULTING ENGINEERS, WE ARE MANUFACTURERS, WE ARE NOT PRIVY TO ALL THE INFORMATION PERTAINING TO THIS MATTER AND WE HAVE NO CONTROL OVER THE PROJECT INSTALLATION OF THE PRODUCT. THE DESIGN SUGGESTION IS PROVIDED WITHOUT OBLIGATION. DESIGN IS TO BE CONFIRMED AND APPROVED BY THE ARCHITECT, HYDRAULICS ENGINEER, OR PROJECT MANAGER. ACCURATE MEASUREMENTS SHOULD BE CONFIRMED BY THE PERSON APPROVING THE DESIGN. ALLPROOF ACCEPTS NO LIABILITY FOR THE IMPROPER USE OF THE DESIGN SUGGESTION.