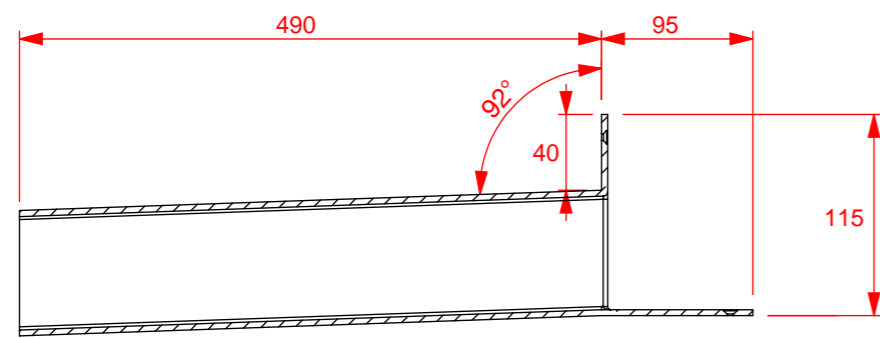
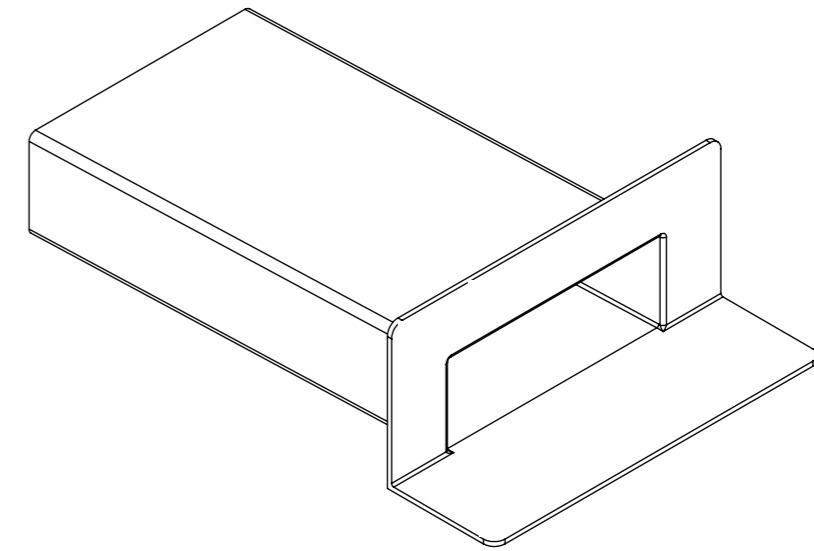
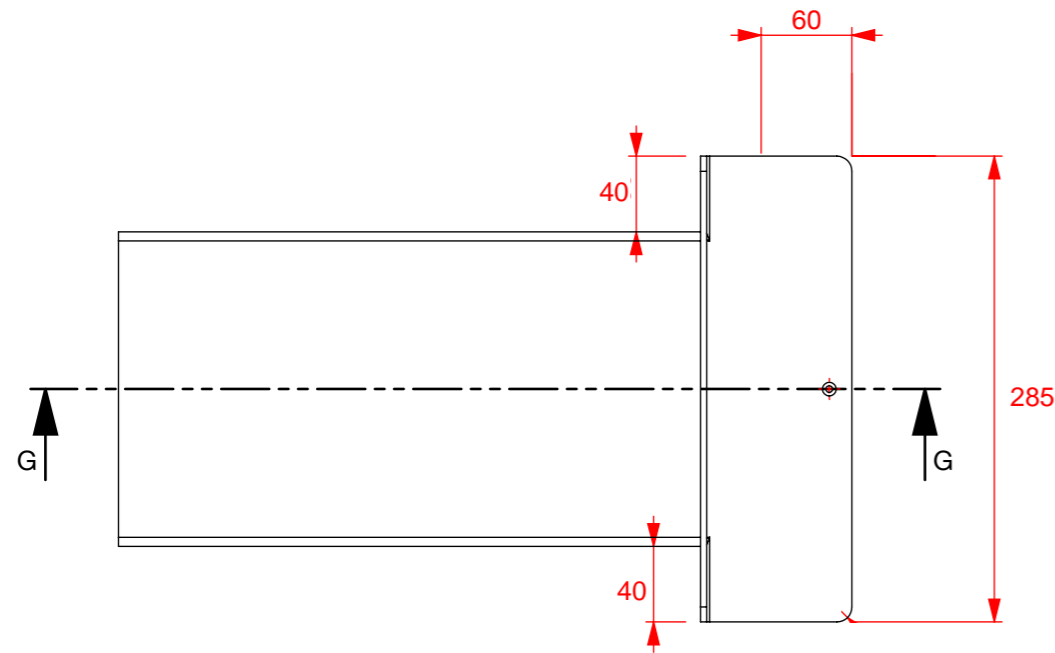
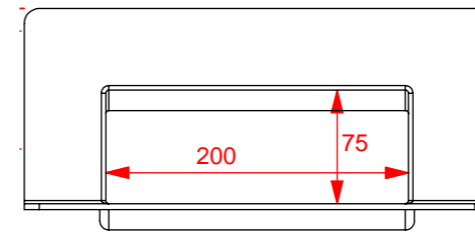


Sealco Limited

DESCRIPTION	
CODE	FINISH
DRETSCUP20	TPO Weldable Material



SECTION G-G



REVISION	CHANGE	DESCRIPTION	DRAWN	DATE
XXX	XXX			
DO NOT SCALE DRAWING		TITLE		
REQUESTED	DATE	Scupper 200 x 75		
XXX	XXX			
DRAWN	DATE	APPLICABLE STANDARD(S):		
APPROVED	DATE	DRAWING REF NUMBER		
MATERIAL		TPO Weldable Material	DRETSCUP20	
TOOL NUMBER	0.0	SCALE (UOS) 1 : 5		
PART WEIGHT(GRAMS)	0.0	A3	UNITS = MM	SHEET 1

DISCLAIMER : THE DESIGN SUGGESTION IS PROVIDED FOR EVALUATION PURPOSES ONLY.
 IT IS NOT TO BE CONSIDERED A FULL DESIGN AS WE ARE NOT THE CONSULTING ENGINEERS. WE ARE MANUFACTURERS. WE ARE NOT PRIVY TO ALL THE INFORMATION PERTAINING TO THIS MATTER AND WE HAVE NO CONTROL OVER THE PROJECT INSTALLATION OF THE PRODUCT. THE DESIGN SUGGESTION IS PROVIDED WITHOUT OBLIGATION.
 DESIGN IS TO BE CONFIRMED AND APPROVED BY THE ARCHITECT, HYDRAULICS ENGINEER, OR PROJECT MANAGER. ACCURATE MEASUREMENTS SHOULD BE CONFIRMED BY THE PERSON APPROVING THE DESIGN. SEALCO ACCEPTS NO LIABILITY FOR THE IMPROPER USE OF THE DESIGN SUGGESTION.