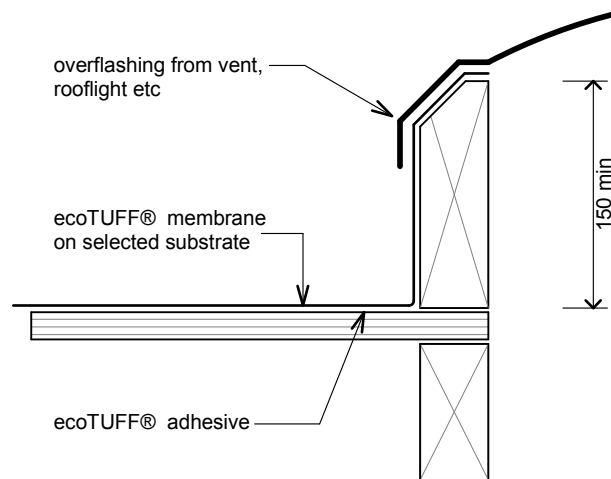


NOTE:

Maximum skylight penetration size 1200 x 1200mm
External corners to be formed as per EcoTUFF external corner detail



ecoT11 - Roof Skylite

Revision: 18 July 2014