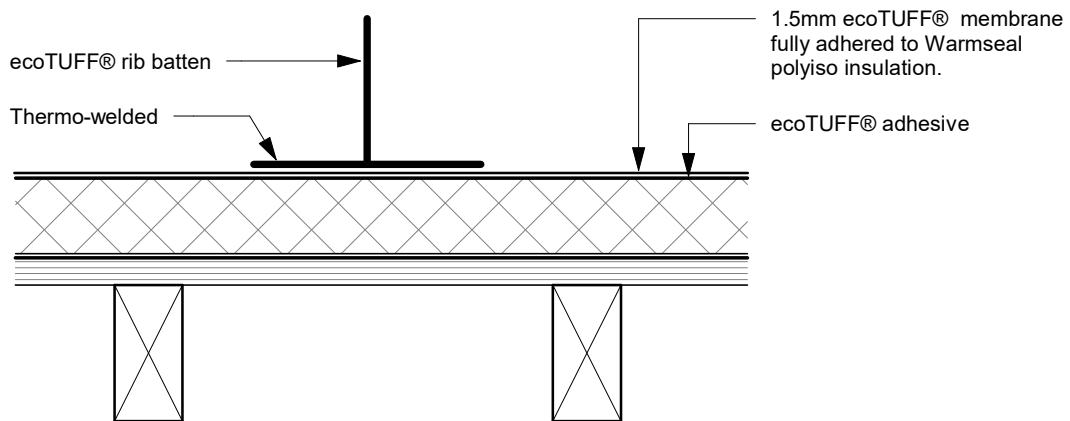


WS ET012 - Batten Join for Services

Revision: 28 June 2019

Alternative Batten Join:



Warm Roof Installation Details - WarmSEAL

Batten Join

Date
November 2019

Scale
1 : 5

Sheet
WS ET 012

Rev.